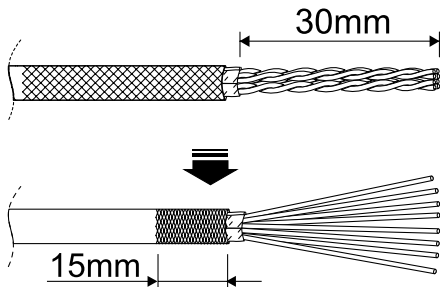


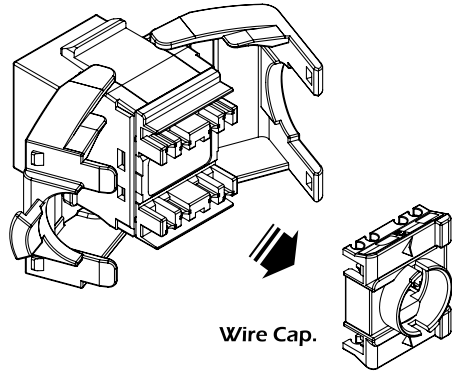
1

Remove about 3cm of the cable sheath.
Keep the cable braid(foil) about 15mm.

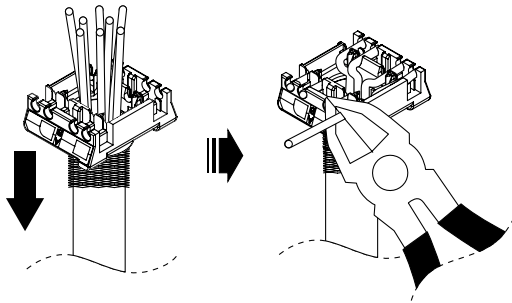
S/FTP

**2**

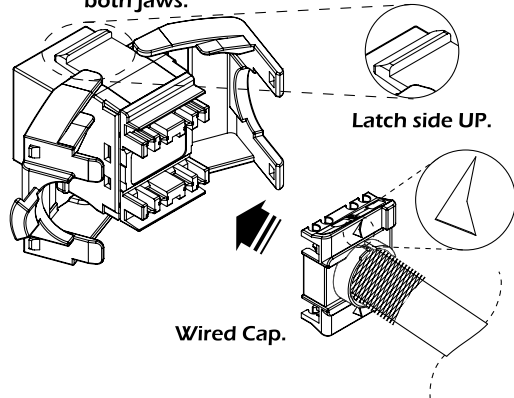
Release the Cap.

**3**

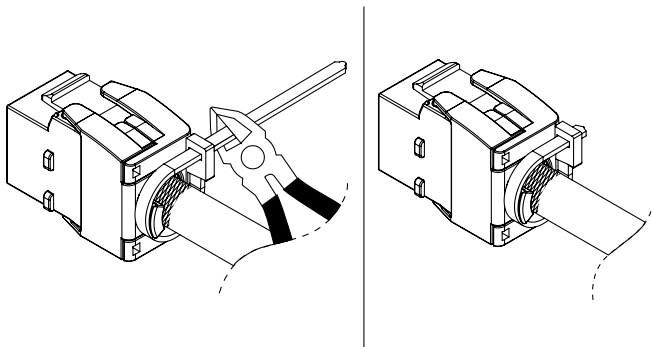
Reeve the cable end through the cap.
Seat each colour coded wire in to the
matching colour coded cap position.
And use wire-cutter to trim off excess
wire.

**4**

Ensure the Wired Cap follows relative
position as the Latch and cover it with
both jaws.

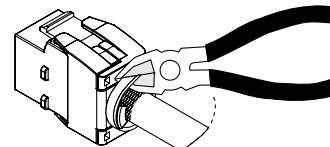
**5**

Thread the supplied cable tie through and then
secure the braided shield by tightening it up &
cut the cable tie.



Disconnection

1. Cut the cable tie.



2. Insert a flat screw driver to unlock.

